

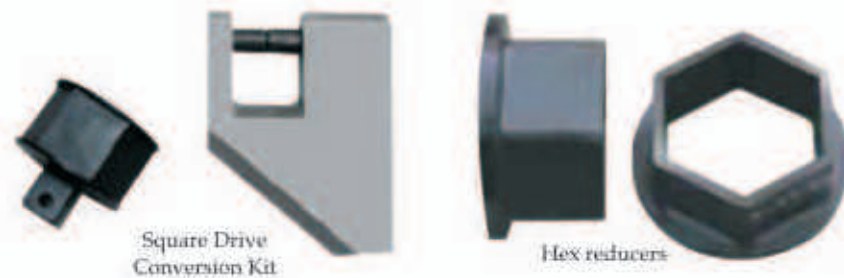
TH- SERIES DIRECT HEX TYPE

TRISTAR TH Series direct HEX drive Hydraulic Torque Wrenches are designed for extreme low spaces where normal tools cannot reach, Tristar tools have much better accessibility.

There are 4 models in TH series upto 45,000NM. All models have a very small nose radius which allows the tool to fit in those areas where there are space constraints observed. Also the cylinder and the ratchet link can be connected by a insertion of a single pin. Hex reducers and various hex- sizes are available in ratchet heads.

Accessories

- ▶ LONG EXTENDED REACTION ARM
- ▶ SQUARE DRIVE ADAPTER KIT
- ▶ HEX REDUCERS
- ▶ STACK SOCKET



Advantages

- ▶ DESIGNED FOR EXTREME LOW SPACES
- ▶ BETTER ACCESSIBILITY
- ▶ FAST OPERATIONS
- ▶ VARIOUS HEX SIZES ARE AVAILABLE IN RATCHET HEAD



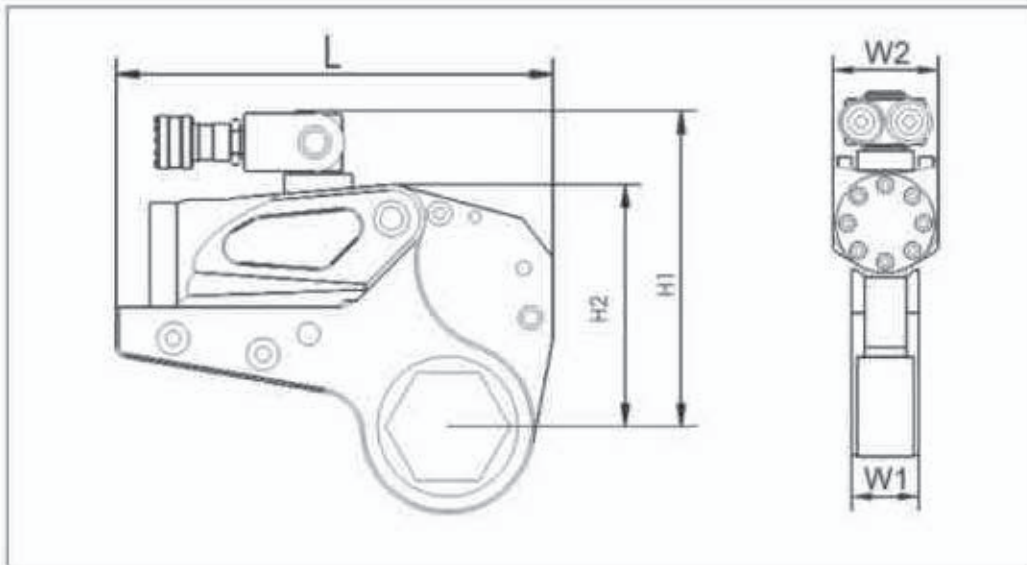
TRISTAR RECOMMENDS USE OF TRISTAR STANDARD ACCESSORIES

ENSURING PRECISE PERFORMANCE & BEST SUITABILITY



* tools with perfection

TH- SERIES DIRECT HEX TYPE



Model Nos	Units	TH-2		TH-4		TH-8		TH-14	TH-32	
Torque Capacity	Nm	230-2350	240-2420	575-5865	640-6480	1050-10950	1160-11780	1850-18525	4100-41890	4450-44600
	Ft.Lbs	180-1850	176-1784	400-4500	474-4800	777-8111	860-8726	1370-13722	3038-31030	3297-33038
Across Flat	mm	19-55	55-60	34-65	70-80	41-95	100-105	50-117	110-155	160-175
	inch	3/4-2.3/16	2.3/16-2.3/8	1.5/16-2.9/16	2.3/4-3.1/8	1.5/8-3.3/4	3.7/8-4.1/8	2-4.1/2	4.1/4-6.1/8	6.1/8-6.7/8
Overall Length L	mm	196	196	245	246	300	301	361	430	441
	inch	7.7"	7.7	9.6	9.6	11.8	11.8	14.27	16.92	17.36
H1	mm	125.9	128.5	177	187	207	216	239	303	315
	inch	4.95	5.05	6.96	7.36	8.14	8.5	9.4	11.9	12.4
H2	mm	102.3	105	135.7	145.7	169	178	204	272	285
	inch	4.02	4.13	5.34	5.73	6.65	7	8.03	10.7	11.22
Width at the link W1	mm	32	32	42	42	53	53	64	85	85
	inch	1.25	1.25	1.625	1.625	2.1	2.1	2.55	3.34	3.34
Width at the cylinder W2	mm	51	51	66	66	83	83	99	131	131
	inch	2	2	2.59	2.59	3.26	3.26	3.89	5.15	5.15
Nose Radius (R)	mm	27 to 43	43 to 46	36 to 53	56 to 61	46-71	75 to 78	60 to 87	85 to 155	160-175
Weight	Kg	1	1	2	2	3.3	3.3	5.5	11.4	11.4
Drive Unit	Lbs	2.2	2.2	4.4	4.4	7.2	7.2	12.1	25.3	25.3
Weight	Kg	1.6	1.7	4.4	4.6	6	8.4	11.8	29	30
Ratchet Unit	Lbs	3.5	3.7	9.6	10.1	17.6	18.4	25.5	63.8	66