

Tristar International



✦ tools with perfection



Tristar– Electric Torque Wrench

Electric torque wrench

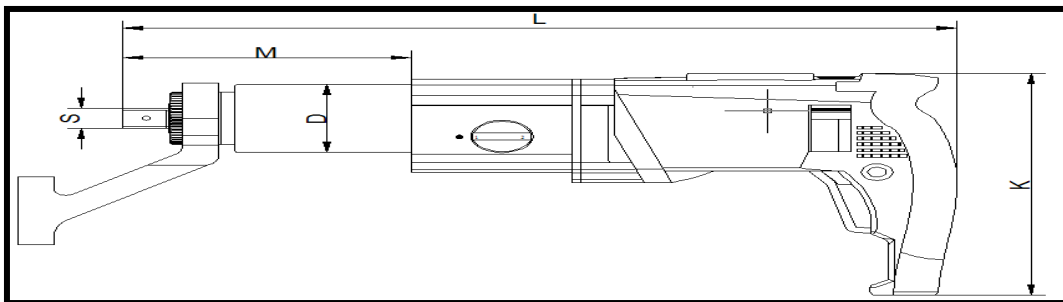
An electric torque wrench is a planetary torque multiplier or a "Gearbox" mated to an electric motor. At the end of the "gearbox" is a reaction device that is used to absorb the torque. This allows the operator of the tool to use the electric torque wrench with very little effort.

The tool has an internal computer that shuts off the voltage at a certain level that is adjusted by the operator of the tool. Because of the internal electronics, the electric torque wrench can operate from 110 or 220 volts. Electric torque wrenches offer the reliable and dependable solution for the torquing and un-torquing of heavy duty bolts and nuts at various industries with speed, power, accuracy and safety are required.



Straight Design- Precise tightening or easy loosening from 100 up to 12000 NM

- A safe absorbing of reaction forces and the ergonomic pistol grip provide a positive handling.
- The operator can fully concentrate upon tightening or loosening tasks.
- Longer life of the power gear, due to completely new bearings.



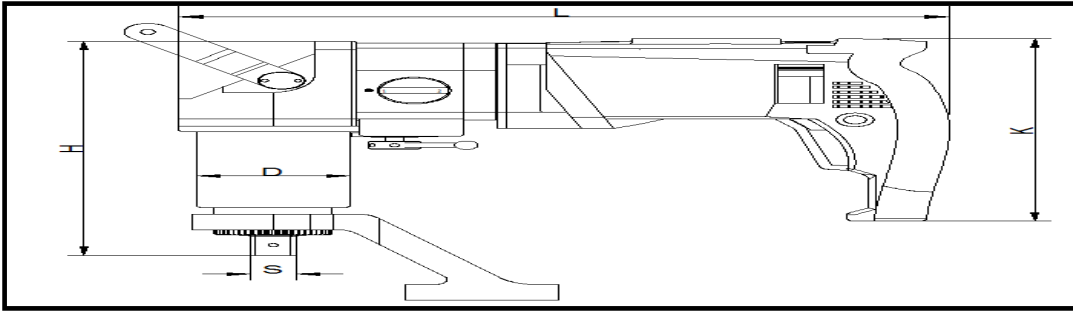
Straight Design (TEW-S)

Technical Data:

Model	Min torque (N.m)	Max torque (N.m)	S (mm)	D (mm)	L (mm)	K (mm)	M (mm)	(Kg)	1 rpm	2 rpm
TEW-08S	100	800	3/4 "	65	420	205	145	5	13	30
TEW-16S	200	1600	1 "	74	460	205	195	6.5	4.7	12.2
TEW-28S	400	2800	1 "	78.5	480	205	215	7.3	2.5	6.6
TEW-40S	500	4000	1 1/2 "	88	500	205	235	9.5	2.2	5.1
TEW-60S	1000	6000	1 1/2 "	113	529	205	264	14.9	0.9	2.6
TEW-80S	1200	8000	1 1/2 "	120	539	205	274	16	0.86	2.0
TEW-100S	2000	10000	1 1/2 "	128	555	205	290	16.2	0.77	1.7
TEW-120S	3000	12000	1 1/2 "	128	555	205	290	16.5	0.63	1.5

Angled Design - Uniquely adjustable in all directions.

Cracks the most difficult tightening and loosening problems from 100 up to 12000 Nm in confined spaces.



Angled Design-(TEW-A)

Technical Data:

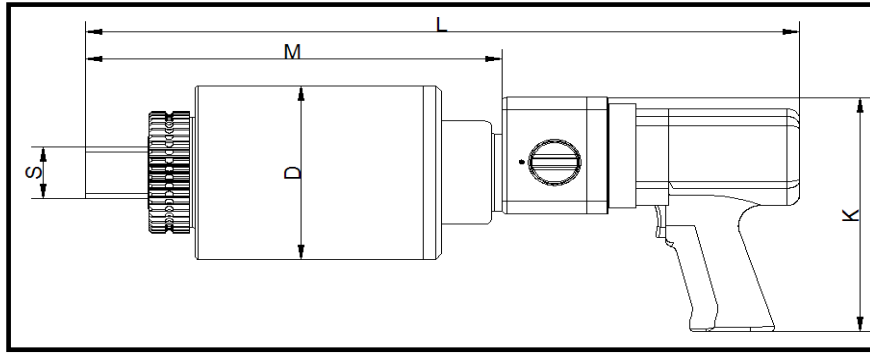
Model	Min torque (N.m)	Max torque (N.m)	S (mm)	D (mm)	L (mm)	H (mm)	(Kg)	1 rpm	2 rpm
TEW-08A	100	800	3/4 "	65	320	249	6.2	13	30
TEW-16A	200	1600	1 "	74	320	297	7.7	4.7	12.2
TEW-28A	400	2800	1 "	78.5	320	317	8.5	2.5	6.6
TEW-40A	500	4000	1 1/2 "	88	320	337	11.4	2.2	5.1
TEW-60A	1000	6000	1 1/2 "	113	320	366	15.9	0.9	2.6
TEW-80A	1200	8000	1 1/2 "	120	320	376	17.2	0.86	2.0
TEW-100A	2000	10000	1 1/2 "	128	320	395	19.3	0.77	1.7
TEW-120A	2000	12000	1 1/2 "	128	320	395	20.1	0.63	1.5

Pneumatic Torque Wrenches

Pneumatic torque wrench is an air motor driven planetary gear box having a very high reduction ratio. the gear box is provisioned with a reaction arm to absorb the torque reaction. Unlike impact wrench a pneumatic torque wrench is driven by continuous gearing and hence has no noisy and hazardous hammering. This is why a pneumatic torque wrench has an excellent accuracy and repeatability.

- Pneumatic is always known for clean and tidy way of working.
- Combination of Air motor with planetary gear guarantees, a much faster, safe and economical operation.
- Easy and fast operation.

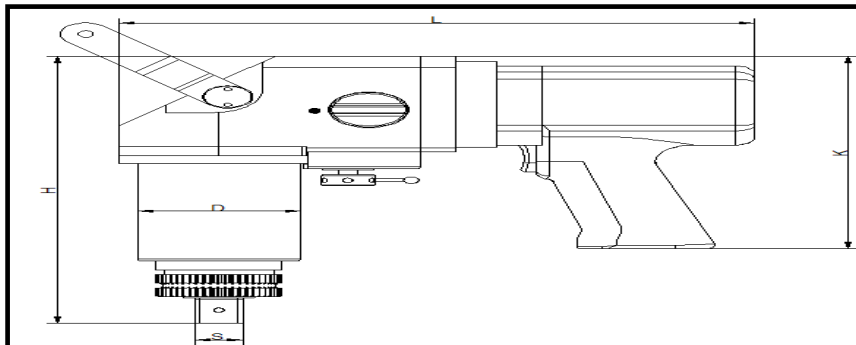




Straight Design (TPW-S)

Technical Data:

Model	Min torque (N.m)	Max torque (N.m)	Square drive S (mm)	D (mm)	L (mm)	K (mm)	M (mm)	Weight (Kg)	Max Idle speed (rpm)
TPW-09S	142	939	3/4 "	75	324	172	131	4.9	28
TPW-15S	200	1550	1 "	77	358	172	165	5.9	20
TPW-30S	500	3100	1 "	78.5	391	172	198	7.5	6
TPW-80S	1200	8000	1 1/2 "	120	451	172	258	16	2.2
TPW-100S	1600	10100	1 1/2 "	128	463	172	270	18.8	1.4
TPW-120S	1600	12200	1 1/2 "	128	463	172	270	18.8	1.4



Angled Design-(TPW-A)

Technical Data:

Model	Min torque (N.m)	Max torque (N.m)	Square drive S (mm)	D (mm)	L (mm)	H (mm)	Weight (Kg)	Max Idle speed (rpm)
TPW-09A	139	910	3/4 "	65	254	227	6.1	28
TPW-15A	210	1500	1 "	77	254	261	7.1	20
TPW-100A	1600	10800	1 1/2 "	128	254	366	20	1.4

TRISTAR INTERNATIONAL HEAD OFFICE:

112 / S-2, Vedant Commercial Complex, Vartak Nagar,
Thane (W) - 400606, MAHARASHTRA, INDIA
Tel : (022) 41266000 / 41266003
Fax No. : (022) 25853993
E-Mail : exports@tristarindia.com
Website: www.tristarindia.com

Branches:

TRISTAR FZC-DUBAI

P6/162, Saif Zone, Sharjah, P.O. Box 121691, U.A.E.
Tel : +9716 5529407 +9714 3546598
Fax No. : 97165529405
Mobile No. : + 971 556510149
E-Mail : sales@tristarfzc.com
Website: www.tristarfzc.com

TRISTAR BUSINESS L.L.C - OMAN

P.O.Box.590, Postal Code:322,
Falaj AL Qabail,
Sohar,Sultanate of Oman,
Tel:+968-99637034
Fax No. : 96826750985
E-Mail : sunil@tristarindia.com

TRISTAR USA

WRM Sales & Marketing
632-E Matthews-Mint Hill Road
Matthews, NC 28105
Tel : 919-454-8704
E-Mail : richie@tristarindia.com
Website: www.tristarindia.com

TRISTAR QATAR

Abdul Aziz Bin, Ahmed Street Jaidah Tower
P.O.box 1884, Doha, Qatar
Tel: 974- 44428238
Fax No: 974-44422255
E-Mail: sandesh@tristarfzc.com
Website: www.tristarfzc.com



* tools with perfection